

Haus

Technical Details

Air Supply

Internally mounted centrifugal fan
1x 'Core 160': 0.17 amp total

Inflated External Size

Length: 4.0m, Width: 3.6m, Height: 3.5m

Inflated Internal Size

Length: 4.0m, Width: 2.2m, Height: 3.1m

Entrance/ Exit Size

Width: 2.2m, Height: 3.1m

Packing Bag

0.5m x 0.5m x 0.4m

Approx. Weight

Structure weight: Gross 8.5 kgs
Fan weight: 3 kgs
Total Weight : 11.5 kgs + package

Materials

FR treated 70 gsm rip-stop nylon, PVC & Polypropylene

Colours

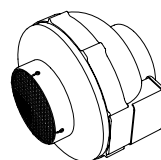
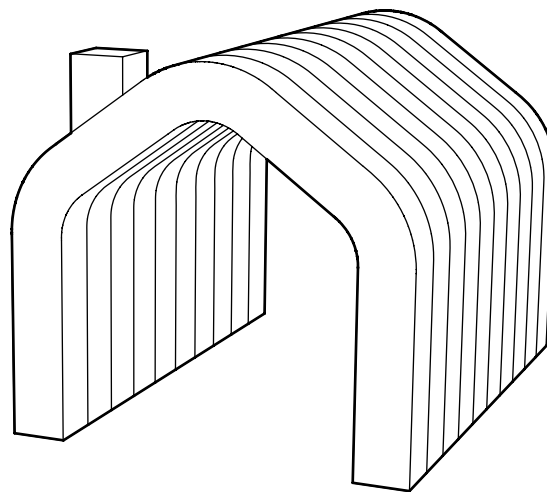
Outer: Brilliant White
Inner: Brilliant White
Details : White

Installation

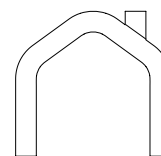
Handling: 1 Persons
Setup Time: From 6 mins
Inflation Time: 3 mins from fixed
Takedown Time: From 10 mins

Capacity

7 (sparse) to 20 (dense)



1 x Core 160 Fan



1 x Haus Structure



1 x Packing Bag

The Inflate Haus is a portable inflatable structure that serves as an ideal covering for indoor and outdoor events. This non-permanent, easy-to-install unit can instantly create a stylish chill out zone or retail space. Just a little larger than your household microwave and weighing under 11kgs, it's easily transported and stored. Available in Brilliant White.

Please note this information is given as guidance only. For specific details on structure and accessory positions please refer to technical drawings or build manual where applicable.

Designed in England | Made in the Future